

## Combination pumps

### Type BKP

LP: 250 bar / 4,0 to 61,1 cm<sup>3</sup>/rev  
HP: 500, 700 or 1000 bar  
0,24 to 8,14 cm<sup>3</sup>/rev

#### Features

- Compact design
- Self-priming and venting (gear pump and BRK)
- Various combinations
- Combination with MRK Multi-outlet radial piston pump as MKP on request

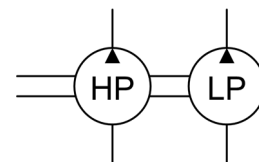


#### Design

- Combination pump consists of an external gear pump and a BRK (501, 502, 701, 702, 11 oder 12) pump from Bieri
- Each pump provided with a suction and pressure connection
- BRK pump is coupled through an intermediate flange and coupling onto the gear pump (primary pump)
- Completely assembled
- Special combination with 2-fold gear pump available on request

#### Applications

- For two different hydraulics circuits with different pressures and displacements
- Presses
- Lifting and advancing systems



#### Technical Data

|   |  |                          |           |
|---|--|--------------------------|-----------|
| Hydraulic fluid                               | Mineral oil according to DIN 51524 (other fluids on request) |                          |           |
| Fluid temperature range                       | -20 up to 80 °C  |                          |           |
| Ambient temperature range                     | -30 up to 50 °C  |                          |           |
| Viscosity range                               | 12 to 220 mm <sup>2</sup> /s                                 |                          |           |
| Max. operating pressure                       | 500, 700 or 1000 bar   |                          |           |
| Suction pressure                              | -0,2 bar up to 0,5 bar relative                              |                          |           |
| Filtration (recommendation)                   | According to NAS 1638 class 6 resp. ISO/DIN 4406 17/15/12    |                          |           |
| Weight  | see product information                                      |                          |           |
| Radial force / Axial force onto driving shaft | Not allowed  |                          |           |
| Installation position                         | Any  |                          |           |
| Max. speed                                    | 2000 rpm   |                          |           |
| Direction of rotation                         | Clockwise  |                          |           |
| Suction height                                | Max. 500 mm  |                          |           |
| Material                                      | Gear pump:   | Housing:                 | aluminium |
|   |  | Gear:                    | steel     |
|   |  | Shaft:                   | steel     |
|   | Radial piston pump:  | see data sheet BRK pumps |           |

## Type BKP

LP: 250 bar / 4,0 to 61,1 cm<sup>3</sup>/rev  
 HP: 500, 700 or 1000 bar  
 0,24 to 8,14 cm<sup>3</sup>/rev

## Ordering code

|   |  |            |   |             |   |            |   |            |   |            |   |          |   |          |  |  |           |   |   |
|---|--|------------|---|-------------|---|------------|---|------------|---|------------|---|----------|---|----------|--|--|-----------|---|---|
| <b>Example</b>  | <b>BKP</b>                                 | <b>501</b> | - | <b>0,24</b> | - | <b>500</b> | - | <b>4,0</b> | - | <b>250</b> | - | <b>V</b> | - | <b>C</b> |  |  | <b>00</b> |   |   |
| <b>Combination pump</b>                                   |  |            |   |             |   |            |   |            |   |            |   |          |   |          |  |  |           | <b>Special design</b><br>01 ... 99<br>(00 for Standard) |   |
| <b>Size (BRK pump)</b>                                    | 501  |            |   |             |   |            |   |            |   |            |   |          |   |          |  |  |           |   | <b>Part index</b><br>Please leave it blank<br>(small letters a-z;<br>different letters do<br>not effect<br>interchangeability)      |
|   | 502  |            |   |             |   |            |   |            |   |            |   |          |   |          |  |  |           |   |   |
|   | 701  |            |   |             |   |            |   |            |   |            |   |          |   |          |  |  |           |   | <b>Design revision</b><br>see dimension drawings<br>(capital letters A-Z; identical<br>letters equal same<br>connecting dimensions) |
|   | 702  |            |   |             |   |            |   |            |   |            |   |          |   |          |  |  |           |   |   |
|   | 11   |            |   |             |   |            |   |            |   |            |   |          |   |          |  |  |           |   |   |
|   | 12   |            |   |             |   |            |   |            |   |            |   |          |   |          |  |  |           |   |   |
| <b>Displacement of the BRK pump [cm<sup>3</sup>/rev]</b>  | see product inform.                        |            |   |             |   |            |   |            |   |            |   |          |   |          |  |  |           |   |   |
| <b>Max. operating pressure of the BRK pump [bar]</b>      | see product information                    |            |   |             |   |            |   |            |   |            |   |          |   |          |  |  |           |   |   |
| <b>Displacement of the gear pump [cm<sup>3</sup>/rev]</b> | see product information                    |            |   |             |   |            |   |            |   |            |   |          |   |          |  |  |           |   |   |
| <b>Max. operating pressure of the gear pump [bar]</b>     | see product information                    |            |   |             |   |            |   |            |   |            |   |          |   |          |  |  |           |   |   |
| <b>Seal material</b>                                      | V [FPM]<br>other seal materials on request |            |   |             |   |            |   |            |   |            |   |          |   |          |  |  |           |   |   |

## Calculation of torque on BKP

$$M_{\text{Total}} = M_{\text{BRK}} + M_{\text{ZP}}$$

|   |   |
|---|---|
| $M_{\text{BRK}} = \frac{p_{\text{BRK}} \cdot V_{\text{BRK}} \cdot k}{62,8 \cdot \eta_{\text{BRK}}}$ | $M_{\text{ZP}} = \frac{p_{\text{ZP}} \cdot V_{\text{ZP}}}{62,8 \cdot \eta_{\text{ZP}}}$ |
|---|---|

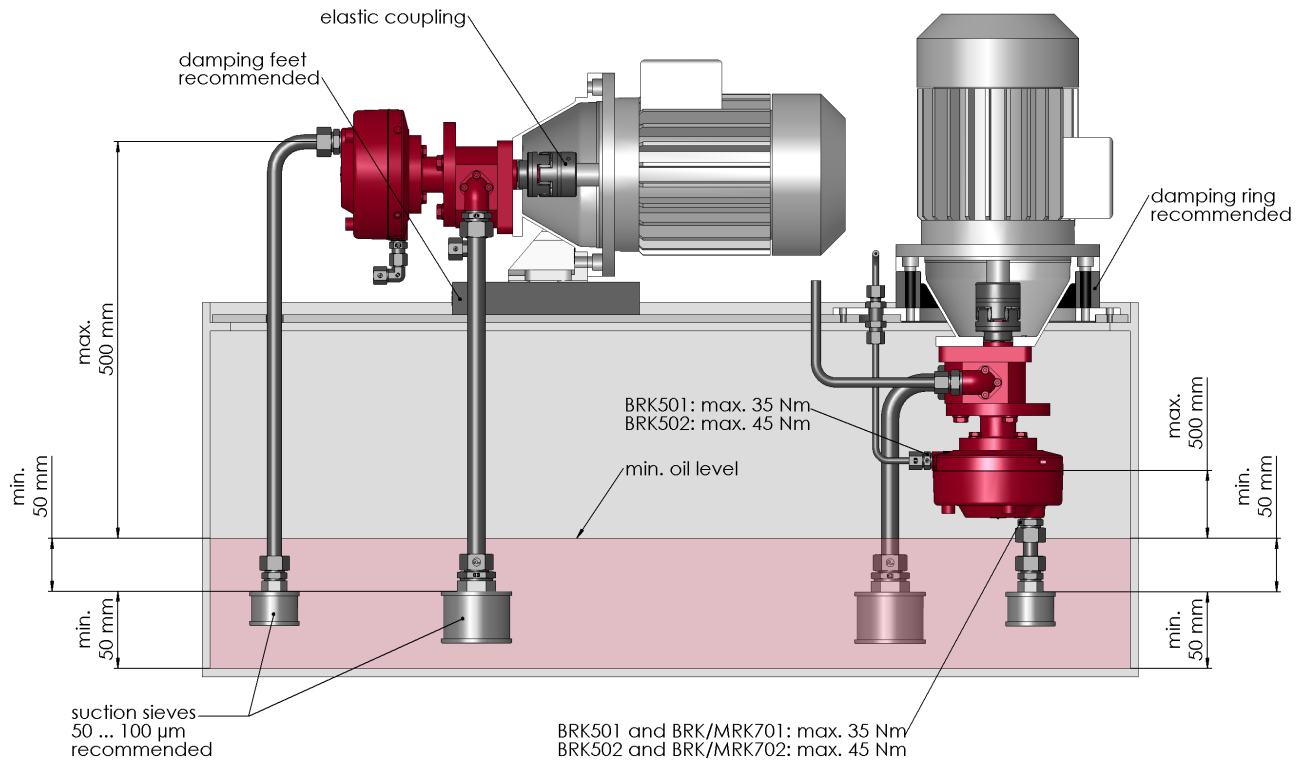
- M Torque [Nm]
- P Driving power [kW]
- n Speed [rpm]
- V<sub>g</sub> Displacement [cm<sup>3</sup>/rev]
- p Operating pressure [bar]
- η<sub>BRK</sub> Efficiency BRK approx. 0,8
- η<sub>ZP</sub> Efficiency ZP approx. 0,7
- k Degree of uniformity  
(see product info)

## Calculation of performance

|   |   |
|---|---|
| $P_{\text{BRK}} = \frac{p_{\text{BRK}} \cdot V_{\text{BRK}} \cdot n \cdot k}{600 \cdot 10^3 \cdot \eta_{\text{BRK}}}$ | $P_{\text{ZP}} = \frac{p_{\text{ZP}} \cdot V_{\text{ZP}} \cdot n}{600 \cdot 10^3 \cdot \eta_{\text{ZP}}}$ |
|---|---|

|  |
|--|
| <b>Type BKP</b>                                |
| LP: 250 bar / 4,0 to 61,1 cm <sup>3</sup> /rev |
| HP: 500, 700 or 1000 bar                       |
| 0,24 to 8,14 cm <sup>3</sup> /rev              |

## Mounting



**Type BKP**LP: 250 bar / 4,0 to 61,1 cm<sup>3</sup>/rev

HP: 500, 700 or 1000 bar

0,24 to 8,14 cm<sup>3</sup>/rev**Product information  
combination gear pump Type 2SP with: BRK501, 701 or 11****Technical data gear pump Type 2SP**

| Type       | Displacement<br>[cm <sup>3</sup> /rev] | Dim. A<br>[mm] | Dim. B<br>[mm] | Dim. C<br>[mm] | Dim. K<br>[mm] | Dim. L<br>[mm] | Dim. H<br>[mm] | Dim. M<br>[mm] | Operating pres-<br>sure max. [bar] | Weight<br>ca. [kg] |
|------------|--|----------------|----------------|----------------|----------------|----------------|----------------|----------------|------------------------------------|--------------------|
| <b>A6</b>  | 6,0                                    | 54,3           | 213,8          | 27,0           | G 1/2"         | 61,0           | G 1/2"         | 61,0           | 250                                | 3,9                |
| <b>A8</b>  | 8,5                                    | 58,5           | 218,0          | 29,1           | G 1/2"         | 61,0           | G 1/2"         | 61,0           | 250                                | 4,1                |
| <b>A11</b> | 11,0                                   | 62,6           | 222,1          | 31,2           | G 1/2"         | 61,0           | G 3/4"         | 65,0           | 250                                | 4,4                |
| <b>A14</b> | 14,0                                   | 67,6           | 227,1          | 33,7           | G 1/2"         | 61,0           | G 3/4"         | 65,0           | 250                                | 4,5                |
| <b>A16</b> | 16,5                                   | 71,8           | 231,3          | 35,8           | G 1/2"         | 61,0           | G 3/4"         | 65,0           | 230                                | 4,6                |
| <b>A19</b> | 19,5                                   | 76,8           | 236,3          | 38,3           | G 1/2"         | 61,0           | G 3/4"         | 65,0           | 210                                | 4,8                |
| <b>A26</b> | 26,0                                   | 87,6           | 247,1          | 43,7           | G 1/2"         | 61,0           | G 3/4"         | 65,0           | 170                                | 5,1                |

**Note** All combinations are possible. However, the working conditions in regard to pressures and displacements for both pumps have to be determined carefully so that the **max. permissible torque of 98 Nm** on the driving shaft is not exceeded. Observe direction of rotation!

**Technical data BRK501**

| Size | Displace-<br>ment<br>[cm <sup>3</sup> /rev] | Operating<br>pressure<br>max. [bar] | k    | Weight<br>ca. [kg] |
|------|---|-------------------------------------|------|--------------------|
| 501  | 0,24  | 500                                 | 1.05 | 3,9                |
| 501  | 0,34  | 500                                 | 1.05 | 3,9                |
| 501  | 0,47  | 500                                 | 1.05 | 3,9                |
| 501  | 0,60  | 500                                 | 1.05 | 3,9                |
| 501  | 0,68  | 500                                 | 1.05 | 3,9                |
| 501  | 0,76  | 500                                 | 1.05 | 3,9                |
| 501  | 0,94  | 500                                 | 1.05 | 3,9                |
| 501  | 1,13  | 500                                 | 1.02 | 4,4                |
| 501  | 1,21  | 500                                 | 1.05 | 3,9                |
| 501  | 1,31  | 500                                 | 1.05 | 3,9                |
| 501  | 1,53  | 500                                 | 1.05 | 3,9                |
| 501  | 1,88  | 500                                 | 1.05 | 3,9                |
| 501  | 2,01  | 500                                 | 1.02 | 4,4                |
| 501  | 2,54  | 500                                 | 1.02 | 4,4                |
| 501  | 2,71  | 500                                 | 1.05 | 3,9                |
| 501  | 3,14  | 500                                 | 1.02 | 5,4                |
| 501  | 3,56  | 500                                 | 1.01 | 5,7                |
| 501  | 4,52  | 400                                 | 1.02 | 5,4                |

**Technical data BRK701**

| Size | Displace-<br>ment<br>[cm <sup>3</sup> /rev] | Operating<br>pressure<br>max. [bar] | k    | Weight<br>ca. [kg] |
|------|---|-------------------------------------|------|--------------------|
| 701  | 0,24  | 700                                 | 1.05 | 6,1                |
| 701  | 0,34  | 700                                 | 1.05 | 6,1                |
| 701  | 0,47  | 700                                 | 1.05 | 6,2                |
| 701  | 0,60  | 700                                 | 1.05 | 6,1                |
| 701  | 0,68  | 700                                 | 1.05 | 6,2                |
| 701  | 0,76  | 700                                 | 1.05 | 6,1                |
| 701  | 0,79  | 700                                 | 1.02 | 6,6                |
| 701  | 0,94  | 700                                 | 1.05 | 6,1                |
| 701  | 1,03  | 700                                 | 1.05 | 6,2                |
| 701  | 1,13  | 700                                 | 1.02 | 6,6                |
| 701  | 1,21  | 700                                 | 1.05 | 6,2                |
| 701  | 1,31  | 700                                 | 1.05 | 7,2                |
| 701  | 1,36  | 700                                 | 1.05 | 6,1                |
| 701  | 1,53  | 700                                 | 1.05 | 7,2                |
| 701  | 1,66  | 700                                 | 1.05 | 6,4                |
| 701  | 1,88  | 700                                 | 1.05 | 6,4                |
| 701  | 2,01  | 700                                 | 1.02 | 6,9                |
| 701  | 2,54  | 700                                 | 1.02 | 6,9                |
| 701  | 2,71  | 700                                 | 1.05 | 6,5                |
| 701  | 2,81  | 700                                 | 1.01 | 7,2                |
| 701  | 3,14  | 700                                 | 1.02 | 6,9                |
| 701  | 4,40  | 500                                 | 1.01 | 7,2                |
| 701  | 4,52  | 500                                 | 1.02 | 6,9                |

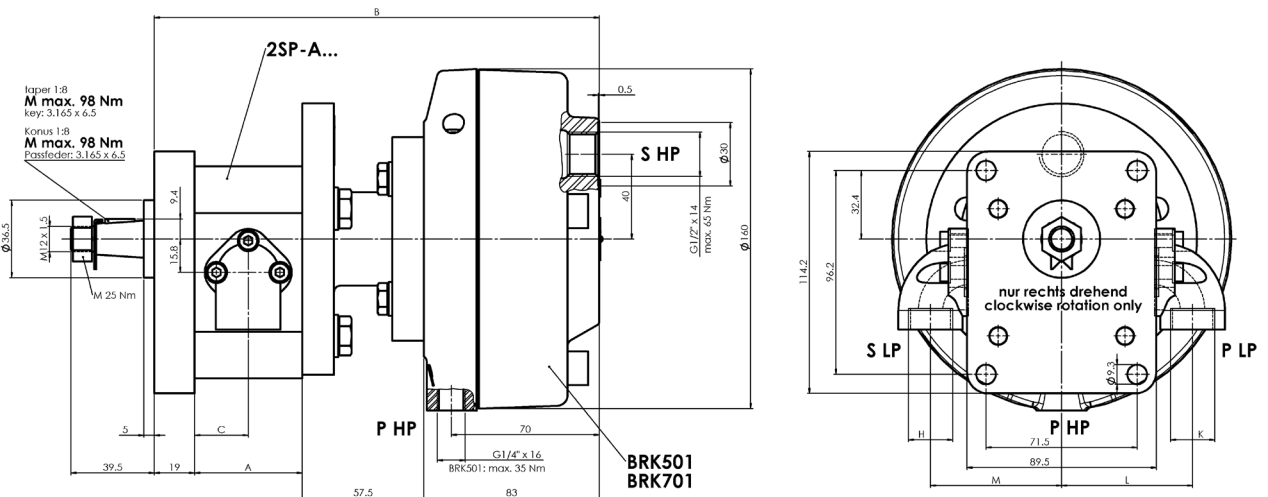
**Type BKP**

LP: 250 bar / 4,0 to 61,1 cm<sup>3</sup>/rev  
 HP: 500, 700 or 1000 bar  
 0,24 to 8,14 cm<sup>3</sup>/rev

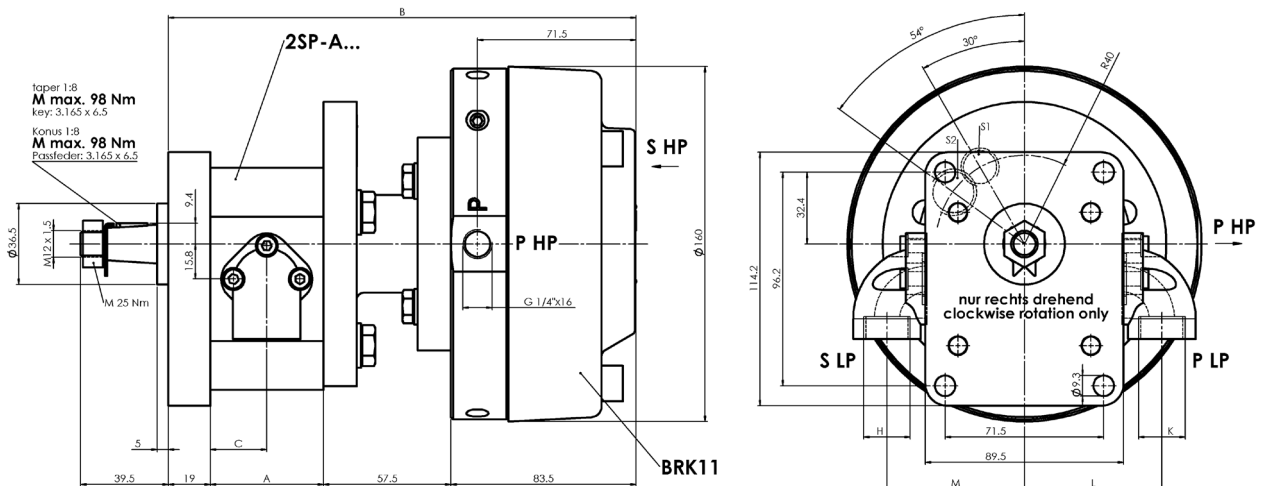
**Technical data BRK11**

| Size | Displacement [cm <sup>3</sup> /rev] | Operating pressure max. [bar] | k    | Weight ca. [kg] |
|------|-------------------------------------|-------------------------------|------|-----------------|
| 11   | 0,47                                | 1000                          | 1.05 | 7,0             |
| 11   | 0,68                                | 1000                          | 1.05 | 7,0             |
| 11   | 0,79                                | 1000                          | 1.02 | 7,5             |
| 11   | 1,13                                | 1000                          | 1.02 | 7,5             |
| 11   | 1,21                                | 1000                          | 1.05 | 7,0             |
| 11   | 1,53                                | 1000                          | 1.05 | 7,0             |
| 11   | 1,88                                | 900                           | 1.05 | 7,0             |
| 11   | 2,01                                | 1000                          | 1.02 | 7,5             |
| 11   | 2,54                                | 900                           | 1.02 | 7,5             |
| 11   | 2,71                                | 850                           | 1.05 | 7,5             |

**Dimensional drawing BRK501/701 with gear pump Type 2SP**



**Dimensional drawing BRK11 with gear pump Type 2SP**



**Type BKP**LP: 250 bar / 4,0 to 61,1 cm<sup>3</sup>/rev

HP: 500, 700 or 1000 bar

0,24 to 8,14 cm<sup>3</sup>/rev**Product information  
combination gear pump Type 3SP with: BRK501, BRK701 or BRK11****Technical data gear pump Type 3SP**

| Type | Displacement [cm <sup>3</sup> /rev] | Dim. A [mm] | Dim. B [mm] | Dim. C [mm] | Dim. K [mm] | Dim. L [mm] | Dim. H [mm] | Dim. M [mm] | Operating pressure max. [bar] | Weight ca. [kg] |
|------|-------------------------------------|-------------|-------------|-------------|-------------|-------------|-------------|-------------|-------------------------------|-----------------|
| A22  | 22,3                                | 82,9        | 268,8       | 41,5        | G 3/4"      | 75,0        | G 1"        | 80,0        | 240                           | 8,1             |
| A29  | 29,3                                | 88,9        | 274,8       | 44,5        | G 3/4"      | 75,0        | G 1"        | 80,0        | 220                           | 8,4             |
| A33  | 32,9                                | 91,9        | 277,8       | 46,0        | G 3/4"      | 75,0        | G 1"        | 80,0        | 220                           | 8,5             |
| A36  | 36,4                                | 94,9        | 280,8       | 47,5        | G 3/4"      | 75,0        | G 1"        | 80,0        | 210                           | 8,6             |
| A44  | 43,5                                | 100,9       | 286,8       | 50,5        | G 3/4"      | 75,0        | G 1"        | 80,0        | 200                           | 8,9             |
| A52  | 51,7                                | 107,9       | 293,8       | 54,0        | G 3/4"      | 75,0        | G 1"        | 80,0        | 200                           | 9,2             |
| A62  | 61,1                                | 115,9       | 301,8       | 58,0        | G 3/4"      | 75,0        | G 1"        | 80,0        | 180                           | 9,6             |

**Note** All combinations are possible. However, the working conditions in regard to pressures and displacements for both pumps have to be determined carefully so that the **max. permissible torque of 240 Nm** on the driving shaft is not exceeded. Observe direction of rotation!

**Technical data BRK501**

| Size | Displacement [cm <sup>3</sup> /rev] | Operating pressure max. [bar] | k    | Weight ca. [kg] |
|------|-------------------------------------|-------------------------------|------|-----------------|
| 501  | 0,24                                | 500                           | 1.05 | 3,9             |
| 501  | 0,34                                | 500                           | 1.05 | 3,9             |
| 501  | 0,47                                | 500                           | 1.05 | 3,9             |
| 501  | 0,60                                | 500                           | 1.05 | 3,9             |
| 501  | 0,68                                | 500                           | 1.05 | 3,9             |
| 501  | 0,76                                | 500                           | 1.05 | 3,9             |
| 501  | 0,94                                | 500                           | 1.05 | 3,9             |
| 501  | 1,13                                | 500                           | 1.02 | 4,4             |
| 501  | 1,21                                | 500                           | 1.05 | 3,9             |
| 501  | 1,31                                | 500                           | 1.05 | 3,9             |
| 501  | 1,53                                | 500                           | 1.05 | 3,9             |
| 501  | 1,88                                | 500                           | 1.05 | 3,9             |
| 501  | 2,01                                | 500                           | 1.02 | 4,4             |
| 501  | 2,54                                | 500                           | 1.02 | 4,4             |
| 501  | 2,71                                | 500                           | 1.05 | 3,9             |
| 501  | 3,14                                | 500                           | 1.02 | 5,4             |
| 501  | 3,56                                | 500                           | 1.01 | 5,7             |
| 501  | 4,52                                | 400                           | 1.02 | 5,4             |

**Technical data BRK701**

| Size | Displacement [cm <sup>3</sup> /rev] | Operating pressure max. [bar] | k    | Weight ca. [kg] |
|------|-------------------------------------|-------------------------------|------|-----------------|
| 701  | 0,24                                | 700                           | 1.05 | 6,1             |
| 701  | 0,34                                | 700                           | 1.05 | 6,1             |
| 701  | 0,47                                | 700                           | 1.05 | 6,2             |
| 701  | 0,60                                | 700                           | 1.05 | 6,1             |
| 701  | 0,68                                | 700                           | 1.05 | 6,2             |
| 701  | 0,76                                | 700                           | 1.05 | 6,1             |
| 701  | 0,79                                | 700                           | 1.02 | 6,6             |
| 701  | 0,94                                | 700                           | 1.05 | 6,1             |
| 701  | 1,03                                | 700                           | 1.05 | 6,2             |
| 701  | 1,13                                | 700                           | 1.02 | 6,6             |
| 701  | 1,21                                | 700                           | 1.05 | 6,2             |
| 701  | 1,31                                | 700                           | 1.05 | 7,2             |
| 701  | 1,36                                | 700                           | 1.05 | 6,1             |
| 701  | 1,53                                | 700                           | 1.05 | 7,2             |
| 701  | 1,66                                | 700                           | 1.05 | 6,4             |
| 701  | 1,88                                | 700                           | 1.05 | 6,4             |
| 701  | 2,01                                | 700                           | 1.02 | 6,9             |
| 701  | 2,54                                | 700                           | 1.02 | 6,9             |
| 701  | 2,71                                | 700                           | 1.05 | 6,5             |
| 701  | 2,81                                | 700                           | 1.01 | 7,2             |
| 701  | 3,14                                | 700                           | 1.02 | 6,9             |
| 701  | 4,40                                | 500                           | 1.01 | 7,2             |
| 701  | 4,52                                | 500                           | 1.02 | 6,9             |
| 701  | 6,33                                | 350                           | 1.01 | 7,2             |

**Type BKP**

LP: 250 bar / 4,0 to 61,1 cm<sup>3</sup>/rev

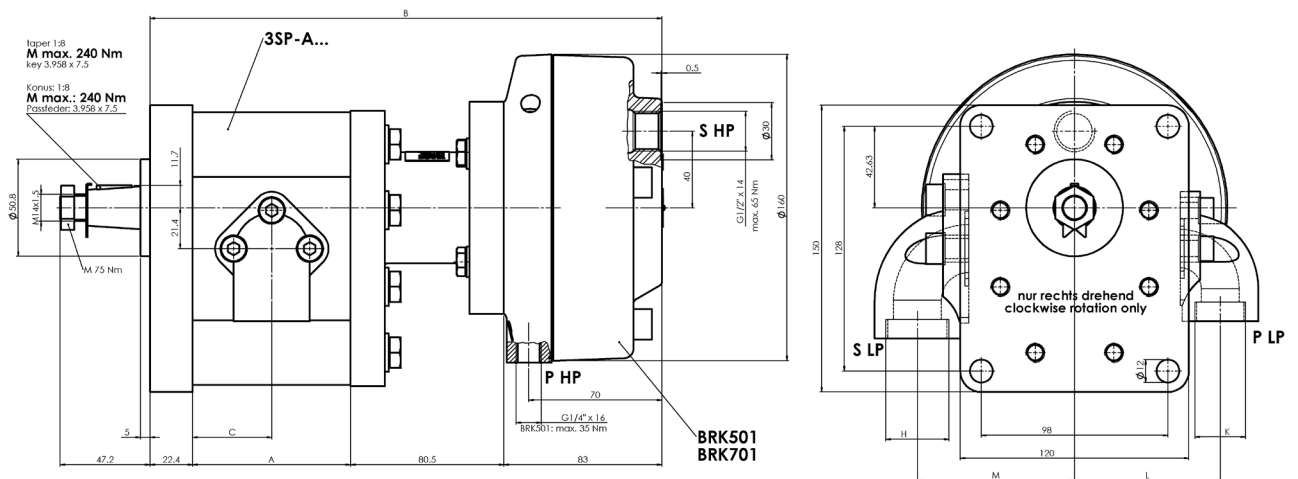
HP: 500, 700 or 1000 bar

0,24 to 8,14 cm<sup>3</sup>/rev

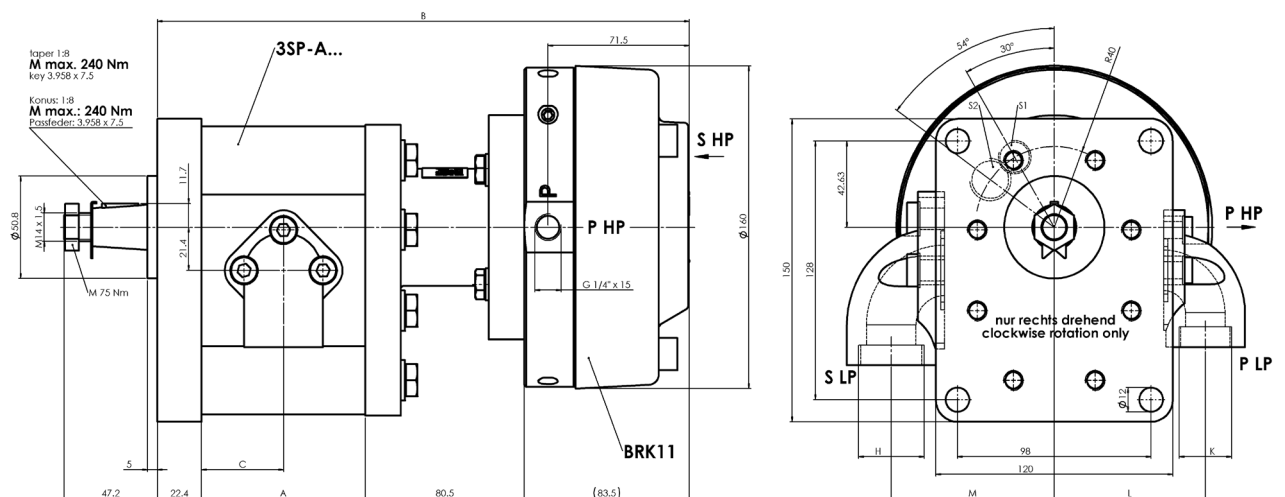
**Technical data BRK11**

| Size | Displacement [cm <sup>3</sup> /rev] | Operating pressure max. [bar] | k    | Weight ca. [kg] |
|------|-------------------------------------|-------------------------------|------|-----------------|
| 11   | 0,47                                | 1000                          | 1.05 | 7,0             |
| 11   | 0,68                                | 1000                          | 1.05 | 7,0             |
| 11   | 0,79                                | 1000                          | 1.02 | 7,5             |
| 11   | 1,13                                | 1000                          | 1.02 | 7,5             |
| 11   | 1,21                                | 1000                          | 1.05 | 7,0             |
| 11   | 1,53                                | 1000                          | 1.05 | 7,0             |
| 11   | 1,88                                | 900                           | 1.05 | 7,0             |
| 11   | 2,01                                | 1000                          | 1.02 | 7,5             |
| 11   | 2,54                                | 900                           | 1.02 | 7,5             |
| 11   | 2,71                                | 850                           | 1.03 | 7,5             |

**Dimensional drawing BRK501/701 with gear pump Type 3SP**



**Dimensional drawing BRK11 with gear pump Type 3SP**



**Type BKP**LP: 250 bar / 4,0 to 61,1 cm<sup>3</sup>/rev

HP: 500, 700 or 1000 bar

0,24 to 8,14 cm<sup>3</sup>/rev**Product information  
combination gear pump Type 3SP with: BRK502, BRK702, BRK12****Technical data gear pump Type 3SP**

| Type | Displacement [cm <sup>3</sup> /rev] | Dim. A [mm] | Dim. B [mm] | Dim. C [mm] | Dim. K [mm] | Dim. L [mm] | Dim. H [mm] | Dim. M [mm] | Operating pressure max. [bar] | Weight ca. [kg] |
|------|-------------------------------------|-------------|-------------|-------------|-------------|-------------|-------------|-------------|-------------------------------|-----------------|
| A22  | 22,3                                | 82,9        | 268,8       | 41,5        | G 3/4"      | 75,0        | G 1"        | 80,0        | 240                           | 8,3             |
| A29  | 29,3                                | 88,9        | 288,8       | 44,5        | G 3/4"      | 75,0        | G 1"        | 80,0        | 220                           | 8,5             |
| A33  | 32,9                                | 91,9        | 291,8       | 46,0        | G 3/4"      | 75,0        | G 1"        | 80,0        | 220                           | 8,7             |
| A36  | 36,4                                | 94,9        | 294,8       | 47,5        | G 3/4"      | 75,0        | G 1"        | 80,0        | 210                           | 8,8             |
| A44  | 43,5                                | 100,9       | 300,8       | 50,5        | G 3/4"      | 75,0        | G 1"        | 80,0        | 200                           | 9,1             |
| A52  | 51,7                                | 107,9       | 307,8       | 54,0        | G 3/4"      | 75,0        | G 1"        | 80,0        | 200                           | 9,4             |
| A62  | 61,1                                | 115,9       | 315,8       | 58,0        | G 3/4"      | 75,0        | G 1"        | 80,0        | 180                           | 9,8             |

**Note:** All combinations are possible. However, the working conditions in regard to pressures and displacements for both pumps have to be determined carefully so that the **max. permissible torque of 240 Nm** on the driving shaft is not exceeded. Observe direction of rotation!

**Technical data BRK502**

| Size | Displacement [cm <sup>3</sup> /rev] | Operating pressure max. [bar] | k    | Weight ca. [kg] |
|------|-------------------------------------|-------------------------------|------|-----------------|
| 502  | 4,52                                | 500                           | 1.02 | 9,0             |
| 502  | 5,65                                | 500                           | 1.00 | 9,8             |
| 502  | 7,31                                | 500                           | 1.00 | 9,8             |

**Technical data BRK702**

| Size | Displacement [cm <sup>3</sup> /rev] | Operating pressure max. [bar] | k    | Weight ca. [kg] |
|------|-------------------------------------|-------------------------------|------|-----------------|
| 702  | 4,52                                | 700                           | 1.02 | 15,1            |
| 702  | 5,65                                | 700                           | 1.00 | 15,7            |
| 702  | 6,33                                | 650                           | 1.01 | 15,4            |
| 702  | 7,31                                | 550                           | 1.00 | 15,7            |
| 702  | 8,14                                | 500                           | 1.00 | 15,7            |

**Technical data BRK12**

| Size | Displacement [cm <sup>3</sup> /rev] | Operating pressure max. [bar] | k    | Weight ca. [kg] |
|------|-------------------------------------|-------------------------------|------|-----------------|
| 12   | 1,10                                | 1000                          | 1.01 | 12,5            |
| 12   | 1,53                                | 1000                          | 1.01 | 12,5            |
| 12   | 2,81                                | 1000                          | 1.01 | 12,5            |
| 12   | 3,56                                | 1000                          | 1.01 | 12,5            |
| 12   | 4,40                                | 900                           | 1.01 | 12,5            |



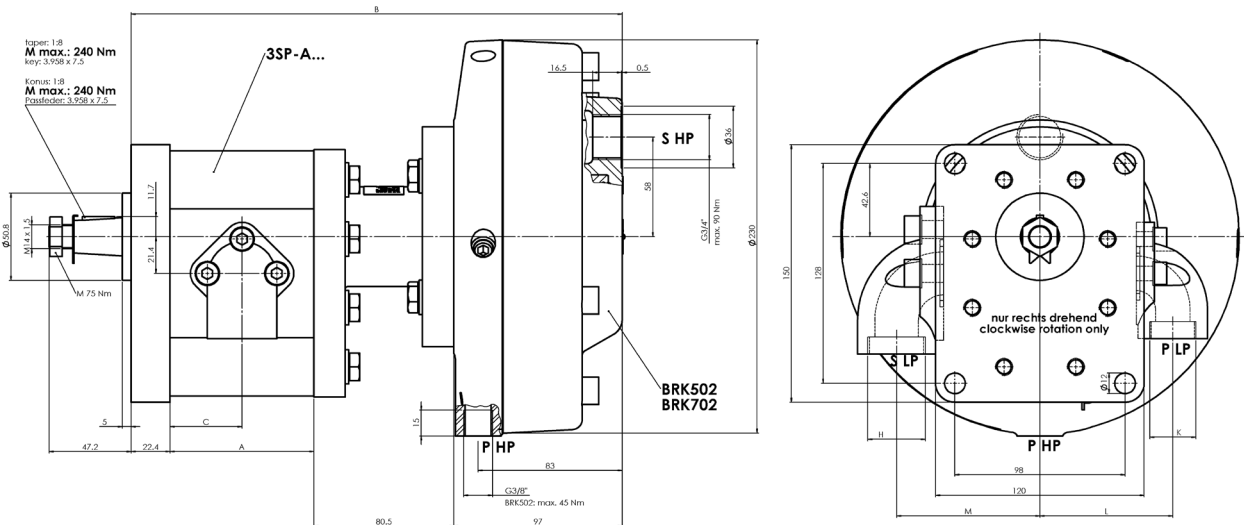
## Type BKP

LP: 250 bar / 4,0 to 61,1 cm<sup>3</sup>/rev

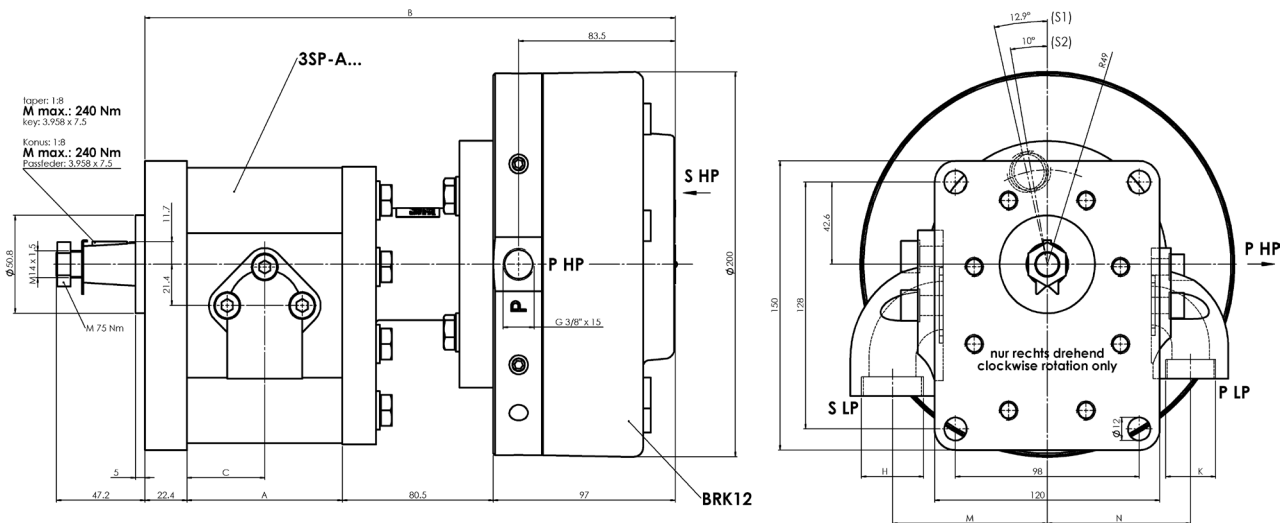
HP: 500, 700 or 1000 bar

0,24 to 8,14 cm<sup>3</sup>/rev

### Dimensional drawing BRK502/702 with gear pump Type 3SP



### Dimensional drawing BRK12 with gear pump Type 3SP



## Bieri Hydraulik AG

Könizstrasse 274

CH-3097 Liebefeld

Tel. +41 31 970 09 09 | Fax +41 31 970 09 10

info@bierihydraulics.com | www.bierihydraulics.com

The information in this brochure relates to the operating conditions and applications described.

For applications and operating conditions not described, please contact the relevant technical department.

Subject to technical modifications.